



ACME ENGINEERING &  
MANUFACTURING CORP.  
P.O. Box 978  
MUSKOGEE, OKLAHOMA 74402

# MODEL VQ50 CEILING/WALL VENTILATING FANS

## READ AND SAVE THESE INSTRUCTIONS

### WARNING

**TO REDUCE THE RISK OF FIRE, ELECTRIC SHOCK, OR INJURY TO PERSONS, OBSERVE THE FOLLOWING:**

1. Use this unit only in the manner intended by the manufacturer. If you have questions, contact the manufacturer at the address or telephone number listed in the warranty.
2. Before servicing or cleaning unit, switch power off at service panel and lock the service disconnecting means to prevent power from being switched on accidentally. When the service disconnecting means cannot be locked, securely fasten a prominent warning device, such as a tag, to the service panel.
3. Installation work and electrical wiring must be done by a qualified person(s) in accordance with all applicable codes and standards, including fire-rated construction codes and standards.
4. Sufficient air is needed for proper combustion and exhausting of gases through the flue (chimney) of fuel burning equipment to prevent backdrafting. Follow the heating equipment manufacturer's guideline and safety standards such as those published by the National Fire Protection Association (NFPA), and the American Society for Heating, Refrigeration and Air Conditioning Engineers (ASHRAE), and the local code authorities.

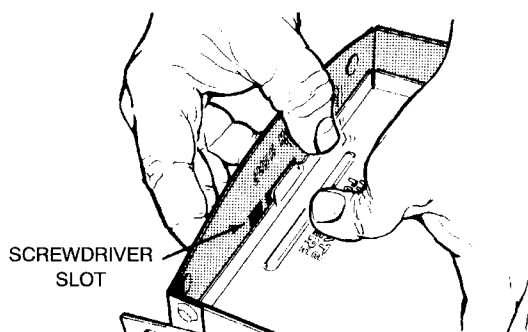
### WARNING

5. When cutting or drilling into wall or ceiling, do not damage electrical wiring and other hidden utilities.
6. Ducted fans must always be vented to the outdoors.
7. This unit may be used over a tub or shower enclosure when installed in a GFCI protected branch circuit.
8. If this unit is to be installed over a tub or shower, it must be marked as appropriate for the application.
9. Never place a switch where it can be reached from a tub or shower.

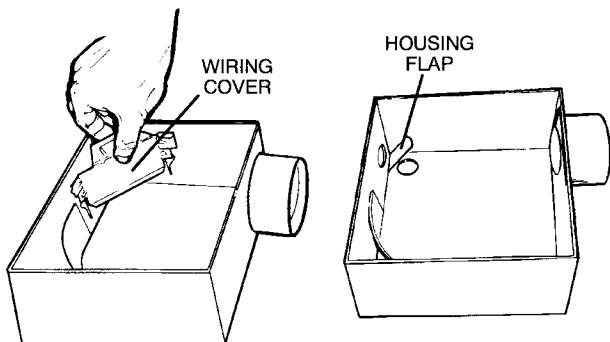
### CAUTION

1. For general ventilating use only. Do not use to exhaust hazardous or explosive materials and vapors.
2. To avoid motor bearing damage and noisy and/or unbalanced impellers, keep drywall spray, construction dust, etc. off power unit.
3. Please read specification label on product for further information and requirements.

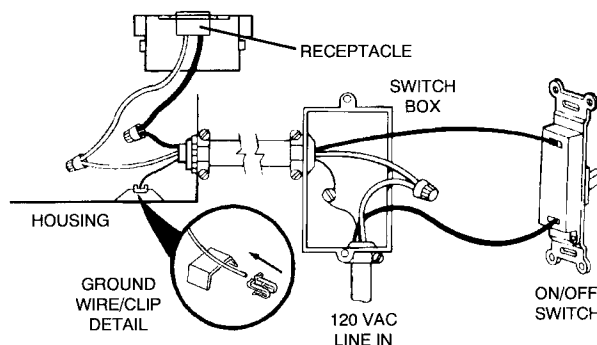
## INSTALLATION



1. Remove motor plate from housing by pushing down on rib in plate while pulling out on side of housing. Motor plate may also be removed by inserting a straight-blade screw driver into slot in housing and twisting screw driver.



2. Remove wiring cover from housing by pulling straight out. Unit is shipped ready to wire through the top of housing. To wire through the side, bend housing flap to cover top hole and expose side hole. **DO NOT BREAK OFF FLAP.** If flap breaks, plug unused hole using standard electrical hole plug.
3. **Turn off electrical power at service entrance** and connect power cable to housing using appropriate connector. Wire black to black, white to white.

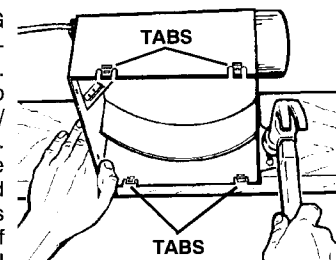


Insert ground wire into grounding clip and secure to emboss in housing. Push all wiring up into corner of unit and replace wiring cover. Make sure cover holds housing flap in place against side or top of housing. **CAUTION: DO NOT ALLOW WIRES TO EXTEND OUTSIDE OF WIRING BOX. Wire left exposed will become pinched or cut when motor plate is installed. Electrical shock may result.**

4. Choose the location for your fan. For best performance, use the shortest possible duct run and a minimum number of elbows. For wall installations: Position unit so damper flap closes when unit is off.

### 5. New installation prior to finishing the ceiling or wall:

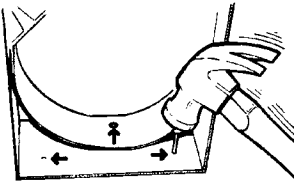
**MAKE SURE HOUSING WILL BE FLUSH WITH FINISHED CEILING OR WALL.** Slotted tabs are provided to locate housing flush with 1/2" ceiling or wall material. Bend tabs outward 90° (Use a screw driver if desired) and position housing so that tabs rest against bottom edge of joists (or front of stud).



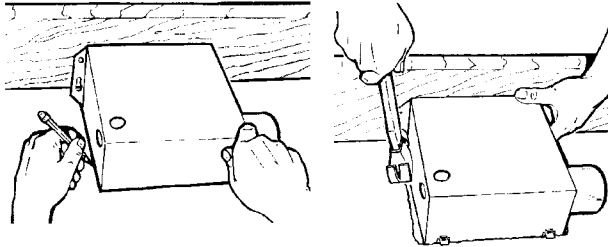
Nail housing to joist or stud using four nails to ensure a solid, quiet installation. **Ceiling installations:** Tabs on opposite side of housing can be bent outward to rest on top of 1/2" ceiling material and provide extra stability.

**5. Replacement installation:**

Position housing so that it is centered in existing opening. **MAKE SURE HOUSING IS FLUSH WITH FINISHED CEILING OR WALL.** After making electrical and ductwork connections (see steps 4, 5 and 6), nail housing in place. Drive nails through the housing where indicated by arrows.

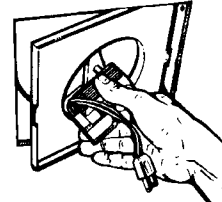


**5. New installation in an existing ceiling or wall:**

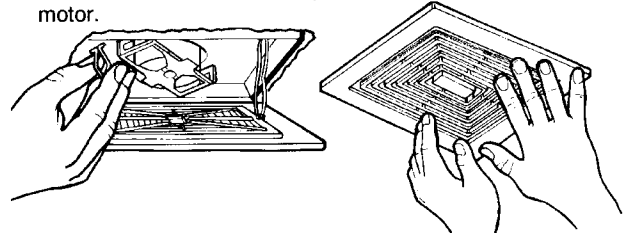


From above ceiling or behind wall, position housing against stud or joist. Trace outline of housing on ceiling or wall material. Set housing aside and cut opening. Place housing in opening such that its **BOTTOM EDGE IS FLUSH WITH FINISHED CEILING OR WALL.** 1/2" ceiling or wall material: Bend tabs **outward 90°** (use a screwdriver if desired) to rest on top of ceiling or wall material and provide extra stability. Nail in place using four nails to ensure a solid, quiet installation.

6. Install 3" round duct onto damper/duct connector. If rigid ductwork is used, its seam should be positioned at top of damper/duct connector. Tape the joint and extend ducting to a wall cap or roof cap. Make sure the damper operates freely. Ceiling or wall can now be finished.

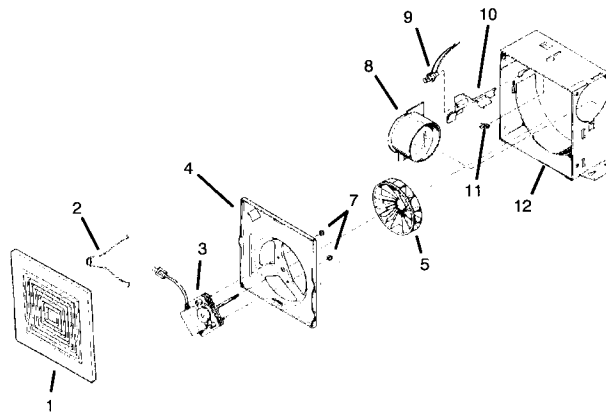


7. Replace the motor plate removed in Step 1. Insert two motor plate tabs into slots in housing and then pivot motor plate up until the third tab on plate snaps into matching slot in housing. Make sure tabs hold motor plate securely in place. Plug in motor.



8. Squeeze grille springs together and insert springs into slots in motor plate. Push grille up against ceiling or wall.

## SERVICE PARTS



KEY NO.	PART NUMBER	DESCRIPTION
1	97011723	Grille Assembly (Includes Key Nos 1 & 2)
2	99140187	Grille Spring
3	99080254	Motor
4	98006791	Motor Plate
5	99110655	Blower Wheel
7	99260428	Nut #6-32 (2 Required)
8	97008632	Damper/Duct Connector
9	99270748	Receptacle
10	98006773	Wiring Cover
11	99390015	Ground Clip
12	97008319	Housing Assembly

Always order replacement parts by "PART NUMBER" - not "KEY NO."

### LIMITED WARRANTY

**WARRANTY AND DISCLAIMER:** Acme Engineering and Manufacturing Corporation extends this limited warranty to the original buyer and warrants that products manufactured by the Company shall be free from original defects in workmanship and materials for two years from date of shipment, provided same have been properly stored, installed, serviced, maintained and operated. This warranty shall not apply to products which have been altered or repaired without the Company's express authorization, or altered or repaired in any way so as, in the Company's judgment, to affect its performance or reliability, nor which have been improperly installed or subjected to misuse, negligence, or accident, or incorrectly used in combination with other substances. The Buyer assumes all risks and liability for results of use of the products. Warranties on purchased parts, such as but not limited to bearings, sheaves, belts, couplings, electric motors, pumps and controls are limited to the terms of warranty extended by our supplier. Polyethylene tubing and cooling pads are warranted to be free of defects in material and workmanship for a period of 90 days from date of shipment and a like warranty applies to the cross fluted cellular type cooling cells for a period of two years from date of shipment provided same have been properly handled, stored, installed, serviced, maintained and operated. And further, not subjected to excessive heat, corrosive agents or chemicals, or mechanical abuse that may cause tearing, crushing or undue deterioration nor used on a system or in a manner other than that for which it was designed as explained in the product literature.

**LIMITATION OF REMEDY AND DAMAGES:** All claims under this warranty must be made in writing and delivered to P. O. Box 978, Muskogee, Oklahoma, 74402, within 15 days after discovery of the defect and prior to the expiration of two years from the date of shipment by the Company of the product claimed defective, and Buyer shall be barred from any remedy if Buyer fails to make such claim within such period. Within 30 days after receipt of a timely claim, the Company shall have the option either to inspect the product while in Buyer's possession or to request Buyer to return the product to the Company at Buyer's expense for inspection by the Company. The Company shall replace, or at its option repair, free of charge, any product it determines to be defective, and it shall ship the repaired or replacement product to Buyer F.O.B. point of shipment; provided, however, if circumstances are such as in the Company's judgment to prohibit repair or replacement to remedy the warranted defects, the Buyer's sole and exclusive remedy shall be a refund to the Buyer of any part of the invoice price, paid to the Company, for the defective product or part. The Company is not responsible for the cost of removal of the defective product or part, damages due to removal, or any expenses incurred in shipping the product or part to or from the Company's plant, or the installation of the repaired or replaced product or part. Implied warranties, when applicable, shall commence upon the same date as the express warranty provided above, and shall, except for warranties of title, extend only for the duration of the express warranty. Some states do not allow limitations on how long an implied warranty lasts, so the above limitation may not apply to you. The only remedy provided to you under an applicable implied warranty and the express warranty shall be the remedy provided under the express warranty, subject to the terms and conditions contained therein. The Company shall not be liable for incidental and consequential losses and damages under the express warranty, any applicable implied warranty, or claims for negligence, except to the extent that this limitation is found to be unenforceable under applicable state law. Some states do not allow the exclusion or limitation of incidental or consequential damages, so the above limitation or exclusion may not apply to you. This warranty gives you specific legal rights, and you may also have other rights which vary from state to state. No employee, agent, dealer, or other person is authorized to give any warranties on behalf of the Company or to assume for the Company any other liability in connection with any of its products except in writing and signed by an officer of the Company.

**REPLACEMENT PARTS** If replacement parts are ordered, buyer warrants that the original components in which these replacement parts will be placed are in satisfactory working condition, and when said replacement parts are installed, the resultant installation will operate in a safe manner, at speeds and temperatures for which the original equipment was purchased.

**TECHNICAL ADVICE AND RECOMMENDATIONS, DISCLAIMER:** Notwithstanding any past practice or dealings or any custom of the trade, sales shall not include the furnishing of technical advice or assistance or system design. Any such assistance shall be at the Company's sole option and may be subject to additional charge. The Company assumes no obligation or liability on account of any recommendations, opinions or advice as to the choice, installation or use of products. Any such recommendations, opinions or advice are given and shall be accepted at your own risk and shall not constitute any warranty or guarantee of such products or their performance.

**GENERAL** In no event shall any claim for consequential damages be made by either party. The Company will comply with all applicable Federal, State, and local laws.

### WARNING

Acme products are designed and manufactured to provide reliable performance but they are not guaranteed to be 100% free of defects. Even reliable products will experience occasional failures and this possibility should be recognized by the User. If these products are used in a life support ventilation system where failure could result in loss or injury, the User should provide adequate back-up ventilation, supplementary natural ventilation or failure alarm system, or acknowledge willingness to accept the risk of such loss or injury. **WARNING DO NOT USE** in HAZARDOUS ENVIRONMENTS where fan's electrical system could provide ignition to combustible or flammable materials unless unit is specifically built for hazardous environments. **CAUTION** Guards must be installed when fan is within reach of personnel or within seven (7) feet (2.134 m) of working level or when deemed advisable for safety. **DISCLAIMER** The Company has made a diligent effort to illustrate and describe the products in this literature accurately; however, such illustrations and descriptions are for the sole purpose of identification, and do not express or imply a warranty that the products are merchantable, or fit for a particular purpose, or that the products will necessarily conform to the illustrations or descriptions or dimension.